

Vegetable Slicer TRS Vegetable Slicer - 1 Speed - 500W - UK plug

ITEM # _____

MODEL # _____

NAME # _____

SIS # _____

AIA # _____



600469 (TRSY1VG)

* NOT TRANSLATED *

Main Features

- Suitable for 100-400 meals for table service and up to 800 meals for catering service.
- Vegetable slicer with slicing, grating, shredding (julienne) as well as dicing and French fries cutting capability.
- Ergonomically designed for right and left-handed users, frontal working and to reduce working space around the machine.
- All parts in contact with food are removable without the use of tools, stainless steel hopper, stainless steel lever and cutting chamber are dishwasher safe.
- Hopper easily removed for cleaning.
- High discharge zone permits the use of deep GN containers (up to 20cm).
- Complete and wide selection of blades and grids available (diam. 205 mm).
- Pulse function for precise cutting.
- Magnetic safety system and motor brake. Prevents machine from running when lever swings away or is open.
- Automatic restart of the machine with the 3/4 moon shaped pusher in position.
- Continuous feed model.
- Base inclined at 20° to provide easy loading and unloading.
- Delivered with:
 - All stainless steel vegetable prep attachment with a lever-integrated long vegetable hopper (55,5mm diameter) and a large round hopper (215cm²)

Construction

- All blades (available on request) are made in stainless steel and dishwasher safe.
- 1 speed: 340 rpm
- Power: 500 W - single or three-phase.
- Compact and portable design.
- Asynchronous silent industrial motor for heavy duty and longer life.
- Feeding arm and hopper are made entirely in stainless steel. Aluminum motor housing.
- Improved ventilation system to manage smoothly heavy duty use.
- Reinforced basement and feet to withstand the continuous movements of the unit.
- Improved fixing of long vegetable hopper pusher.

Included Accessories

- 1 of Ejector disc PNC 653772

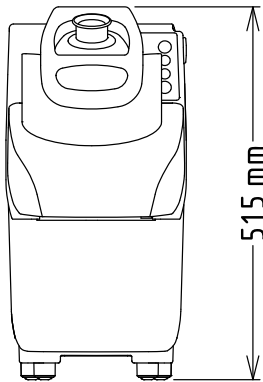
Optional Accessories

- S/S SHREDDING DISC WITH S- BLADES 4X4 MM PNC 650077 □
- S/S SHREDDING DISC WITH S- BLADES 6X6 MM PNC 650078 □
- S/S SHREDDING DISC WITH S- BLADES 8X8 MM PNC 650079 □

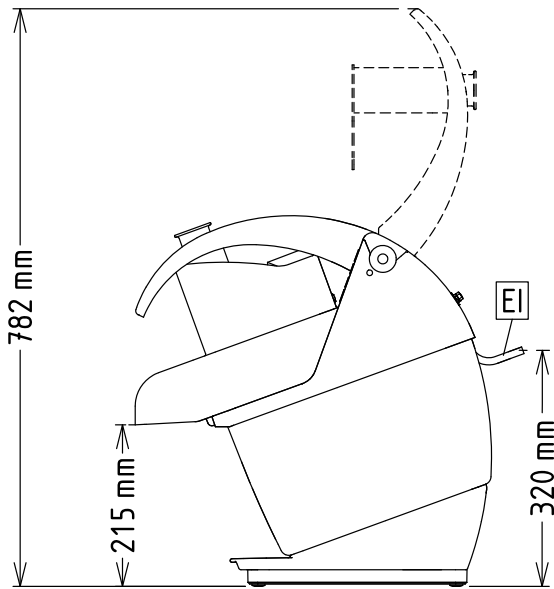
APPROVAL: _____

• S/S SHREDDING DISC WITH S-BLADES 10X10MM	PNC 650080	<input type="checkbox"/>	• - NOT TRANSLATED -	PNC 653632	<input type="checkbox"/>
• SS PRESSER SLICING W/DISC S-BLADES 0,6MM	PNC 650081	<input type="checkbox"/>	• Stainless steel grating disc 2 mm	PNC 653773	<input type="checkbox"/>
• S/S PRESSER SLICING W/DISC S-BLADES 1 MM	PNC 650082	<input type="checkbox"/>	• Stainless steel grating disc 3 mm	PNC 653774	<input type="checkbox"/>
• S/S PRESSER SLICING W/DISC S-BLADES 2 MM	PNC 650083	<input type="checkbox"/>	• Stainless steel grating disc 4 mm	PNC 653775	<input type="checkbox"/>
• S/S PRESSER SLICING W/DISC S-BLADES 3 MM	PNC 650084	<input type="checkbox"/>	• Stainless steel grating disc 7 mm	PNC 653776	<input type="checkbox"/>
• S/S PRESSER SLICING W/DISC S-BLADES 4 MM	PNC 650085	<input type="checkbox"/>	• Stainless steel grating disc 9 mm	PNC 653777	<input type="checkbox"/>
• S/S PRESSER SLICING W/DISC S-BLADES 5 MM	PNC 650086	<input type="checkbox"/>	• Stainless steel grating disc for knoedeln and bread	PNC 653778	<input type="checkbox"/>
• S/S PRESSER SLICING W/DISC S-BLADES 6 MM	PNC 650087	<input type="checkbox"/>	• Stainless steel grating disc for parmesan and bread	PNC 653779	<input type="checkbox"/>
• S/S PRESSER SLICING W/DISC S-BLADES 8 MM	PNC 650088	<input type="checkbox"/>			
• SS PRESSER DISC W/CORRUGATED S-BLADES2MM	PNC 650089	<input type="checkbox"/>			
• SS PRESSER DISC W/CORRUGATED S-BLADES3MM	PNC 650090	<input type="checkbox"/>			
• SS PRESSER DISC W/CORRUGATED S-BLADES6MM	PNC 650091	<input type="checkbox"/>			
• SET DISCS BISTROT (C2SX, C5SX, J2X)	PNC 650092	<input type="checkbox"/>			
• - NOT TRANSLATED -	PNC 650107	<input type="checkbox"/>			
• - NOT TRANSLATED -	PNC 650110	<input type="checkbox"/>			
• - NOT TRANSLATED -	PNC 650112	<input type="checkbox"/>			
• - NOT TRANSLATED -	PNC 650113	<input type="checkbox"/>			
• - NOT TRANSLATED -	PNC 650114	<input type="checkbox"/>			
• - NOT TRANSLATED -	PNC 650115	<input type="checkbox"/>			
• - NOT TRANSLATED -	PNC 650116	<input type="checkbox"/>			
• S/S SHREDDING DISC S-BLADES2X8MM-TAGLIAT	PNC 650158	<input type="checkbox"/>			
• SS SHREDDING DISC S-BLADES2X10MM-TAGLIAT	PNC 650159	<input type="checkbox"/>			
• SS PRESS/SLICE DISC S-BLADE10MM	PNC 650160	<input type="checkbox"/>			
• SS PRESS/SLICE DISC S-BLADE12MM	PNC 650161	<input type="checkbox"/>			
• SS PRESS/CORRUG DISC S-BLADE8MM	PNC 650162	<input type="checkbox"/>			
• SS PRESS/CORRUG DISC S-BLADE10MM	PNC 650164	<input type="checkbox"/>			
• SS PRESS/SLICE DISC S-BLADE13MM	PNC 650165	<input type="checkbox"/>			
• S/S SHREDDING DISC WITH S-BLADES 2X2 MM	PNC 650166	<input type="checkbox"/>			
• S/S SHREDDING DISC WITH S-BLADES 3X3 MM	PNC 650167	<input type="checkbox"/>			
• SET 4 DISC (C2SX,C5SX,J2X,J7X)	PNC 650178	<input type="checkbox"/>			
• Stainless steel work table with folding shelves and disk rack	PNC 653283	<input type="checkbox"/>			
• Dicing grid 5x5 mm	PNC 653566	<input type="checkbox"/>			
• Dicing grid 8x8 mm	PNC 653567	<input type="checkbox"/>			
• Dicing grid 10x10 mm	PNC 653568	<input type="checkbox"/>			
• Dicing grid 12x12 mm	PNC 653569	<input type="checkbox"/>			
• Dicing grid 20x20 mm	PNC 653570	<input type="checkbox"/>			
• Grid for chips 6x6 mm	PNC 653571	<input type="checkbox"/>			
• Grid for chips 8x8 mm	PNC 653572	<input type="checkbox"/>			
• Grid for chips 10x10 mm	PNC 653573	<input type="checkbox"/>			

Front

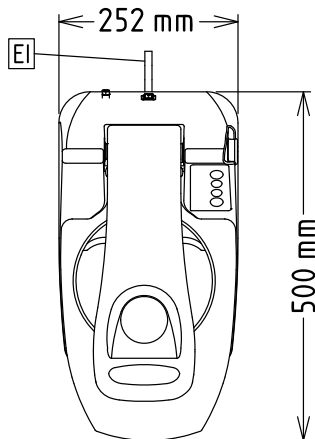


Side



EI = Electrical inlet (power)

Top


Electric

Supply voltage:	220-240 V/1N ph/50 Hz
Electrical power max.:	0.5 kW
Total Watts:	0.5 kW

Capacity:

Performance (up to):	550 kg/Cycle
----------------------	--------------

Key Information:

External dimensions, Width:	252 mm
External dimensions, Depth:	500 mm
External dimensions, Height:	515 mm
Shipping weight:	22 kg